

# CABIN AIR FILTER

## IDENTIFICATION / INSTALLATION

# IMPORTS

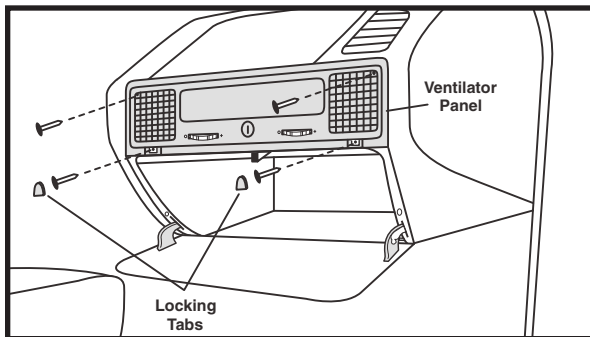
# AFC1005

**BMW 318, 325i, 325iC, 325iS, 325iX, 328 Series, 525i, 525iT, M3**

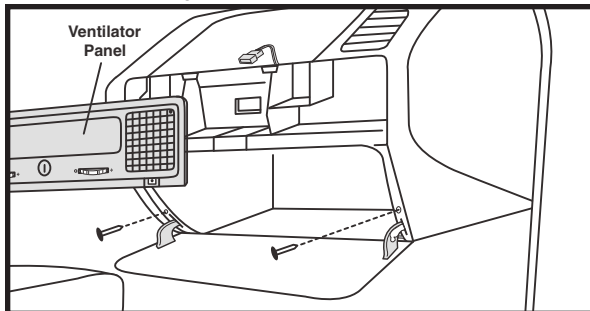


**OE:** 64111393489, 64119069895  
**Fits:** 1994-99 BMW 318  
 1990-95 BMW 325i, 325iS  
 1990-92 BMW 325iC  
 1990-91 BMW 325iX  
 1996-99 BMW 328 Series, M3  
 1991-95 BMW 525i  
 1993-95 BMW 525iT  
**Size:** 11 5/8 x 6 1/2 x 31/32  
 (295.3 x 165.1 x 24.6)

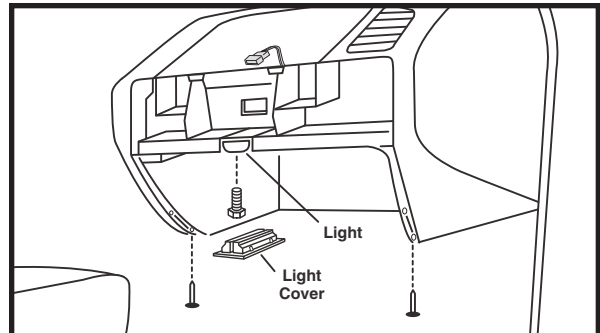
**A. Gskt.:** [1] Attached



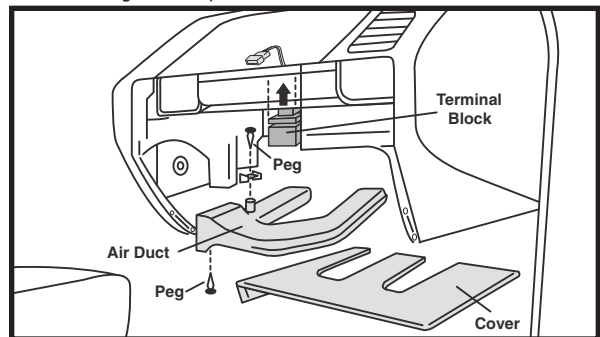
1. Open passenger side door.
2. Close vents.
3. Remove screws in vents above glove compartment.
4. Open glove compartment.
5. Remove locking tabs and screws under vents.



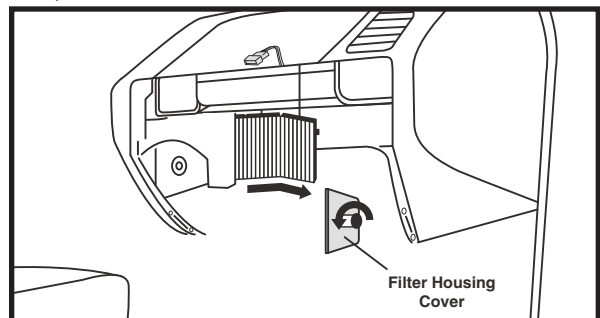
6. Remove ventilator panel.
7. Unhook hinges on glove compartment door and remove door.
8. Remove screws above door hinges.



9. Remove screws on either side of glove compartment opening.
10. Remove light cover to access hex bolt and remove hex bolt.
11. Unplug and remove light.
12. Remove glove compartment.



13. Remove cover.
14. Remove plastic pegs from air duct.
15. Remove air duct.
16. Move any cable assembly to side and push terminal block upwards, out of holder.



17. Turn wheel on filter housing cover 90° counter clockwise.
18. Remove filter housing cover.
19. Bend filter at folding points and remove.
20. Replace filter (bend new filter at folding points, with tab facing out) and reassemble.

**Notice:** The information provided is based on the latest authoritative information available at press time. However, due to manufacturers' changes, and year and model variations, Hastings Premium Filters cannot be responsible for misapplications and instruction errors.



4400 East Highway 30 ■ P.O. Box 6006  
 Kearney, NE 68848-6006  
 PH: 800-887-8836 ■ FAX: 800-210-6906  
 Internet: www.hastingsfilter.com