

CABIN AIR FILTER

IDENTIFICATION / INSTALLATION

IMPORTS

AF1145 / AFC1145

**Volvo C70, S60, S60 R, S60 T5, S80, S80 T6,
V70, V70 R, V70 T5, XC70, XC70 Cross Country, XC90, XC90 T6**

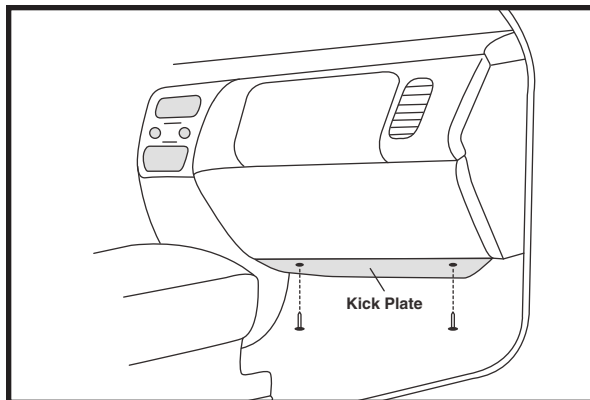


OE: 9204626

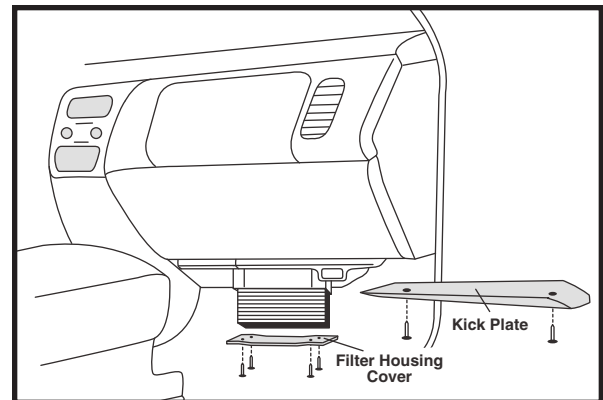
Fits: 2002-03 Volvo C70
2001-09 Volvo S60
2003-07 Volvo S60 R
2004-07 Volvo S60 T5
1999-2006 Volvo S80
2000-05 Volvo S80 T6
2002-07 Volvo V70
2005-07 Volvo V70 R
2005 Volvo V70 T5
2010 Volvo XC70
2003-07 Volvo XC70 Cross Country
2003-on Volvo XC90
2004 Volvo XC90 T6

Size: (10 to 10 9/16) x 9 1/2 x 31/32
(254.0 to 268.3) x 241.3 x 24.6)

Note: Related to AFC1224 (Charcoal Version)



1. Open passenger side door.
2. Remove screws on kick plate located under glove compartment.



3. Remove kick plate.
4. Remove screws on filter housing cover.
5. Remove filter housing cover.
6. Replace filter and reassemble.

Notice: The information provided is based on the latest authoritative information available at press time. However, due to manufacturers' changes, and year and model variations, Hastings Premium Filters cannot be responsible for misapplications and instruction errors.



4400 East Highway 30 ■ P.O. Box 6006
Kearney, NE 68848-6006
PH: 800-887-8836 ■ FAX: 800-210-6906
Internet: www.hastingsfilter.com