

# CABIN AIR FILTER

## IDENTIFICATION / INSTALLATION

### IMPORTS

### AFC1154

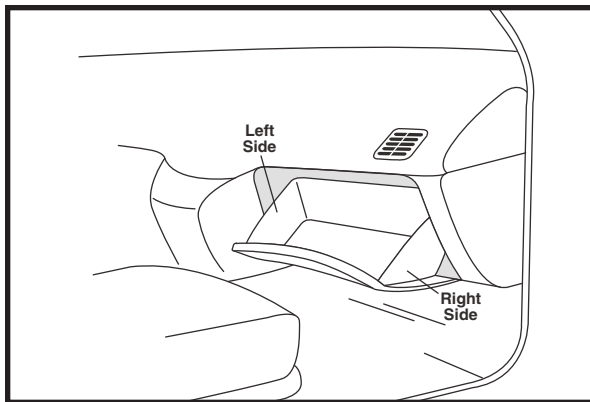
**Mitsubishi Eclipse, Eclipse Spyder,  
Endeavor, Galant;  
Subaru B9 Tribeca, Legacy, Outback,  
Tribeca;  
Toyota 4Runner, Celica, FJ Cruiser,  
Prius, Sienna**



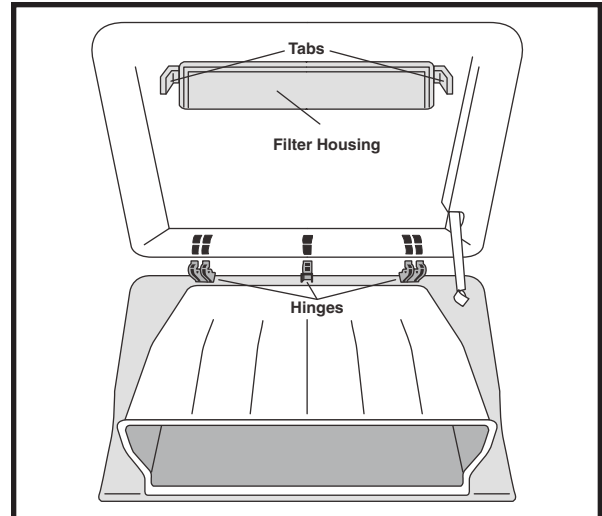
**OE:** 87139-47010, 88508-20120

**Fits:** 2011 Mitsubishi Eclipse, Eclipse Spyder  
2004-on Mitsubishi Endeavor  
2004-10 Mitsubishi Galant  
2006-07 Subaru B9 Tribeca  
2005-09 Subaru Legacy, Outback  
2008-on Subaru Tribeca  
2003-on Toyota 4Runner  
2000-05 Toyota Celica  
2007-on Toyota FJ Cruiser  
2001-09 Toyota Prius  
2004-05 Toyota Sienna

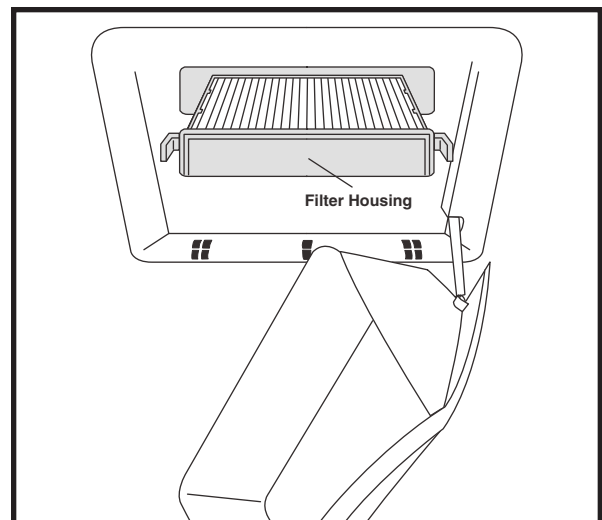
**Size:** 8 15/32 x 8 15/32 x 21/32  
(215.1 x 215.1 x 16.7)



1. Open passenger side door.
2. Open glove compartment.
3. Push in on left and right sides of glove compartment to release glove compartment.



4. Push up on back of glove compartment to release glove compartment hinges.
5. Pull out glove compartment. (Right side of glove compartment remains attached.)
6. Squeeze tabs on left and right sides of filter housing and remove.



7. Remove filter from filter housing.
8. Replace filter and reassemble.

**Notice:** The information provided is based on the latest authoritative information available at press time. However, due to manufacturers' changes, and year and model variations, Hastings Premium Filters cannot be responsible for misapplications and instruction errors.



4400 East Highway 30 ■ P.O. Box 6006  
Kearney, NE 68848-6006  
PH: 800-887-8836 ■ FAX: 800-210-6906  
Internet: [www.hastingsfilter.com](http://www.hastingsfilter.com)