

CABIN AIR FILTER

IDENTIFICATION / INSTALLATION

GM

AF1157 / AFC1157

**Buick Rendezvous, Terraza;
Chevrolet Uplander, Venture;
Oldsmobile Silhouette APV;
Pontiac Aztek, Montana, Montana SV6;
Saturn Relay**



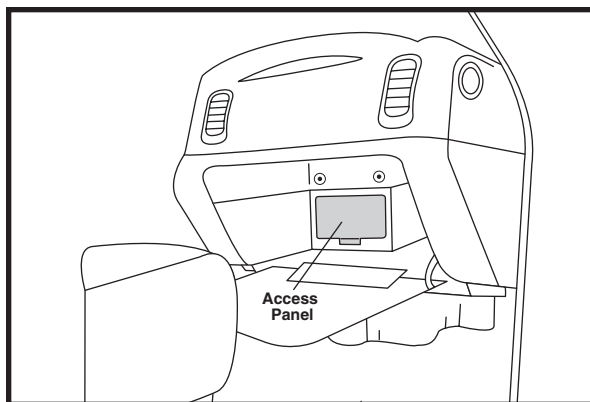
OE: 10302760, 10322538

Fits: 2002-07 Buick Rendezvous
2005-07 Buick Terraza, Saturn Relay
2005-09 Chevrolet Uplander
2001-05 Chevrolet Venture, Pontiac Aztek, Montana
2001-04 Oldsmobile Silhouette APV
2005-09 Pontiac Montana SV6

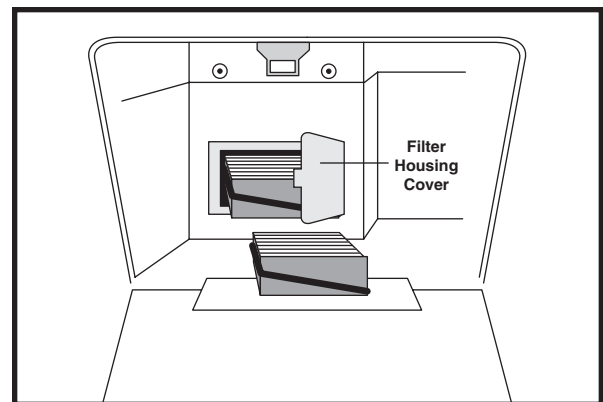
Size: 8 11/16 x 4 1/4 x 1 17/32
(220.7 x 108.0 x 38.9)

A. Gskt.: [1] Attached

Note: Contains Charcoal Impregnated Media for Odor Control
2 Required per Vehicle (Sold as Set of 2)



1. Open passenger side door.
2. Open glove compartment.
3. Remove access panel by pulling up and out.



4. Open filter housing cover by squeezing tab on left.
5. Remove first filter.
6. Slide second filter to the right and then out.
7. Replace filters in reverse order and reassemble. (Make sure foam is angled in same direction for both filters.)

Notice: The information provided is based on the latest authoritative information available at press time. However, due to manufacturers' changes, and year and model variations, Hastings Premium Filters cannot be responsible for misapplications and instruction errors.



4400 East Highway 30 ■ P.O. Box 6006
Kearney, NE 68848-6006
PH: 800-887-8836 ■ FAX: 800-210-6906
Internet: www.hastingsfilter.com