

CABIN AIR FILTER

IDENTIFICATION / INSTALLATION

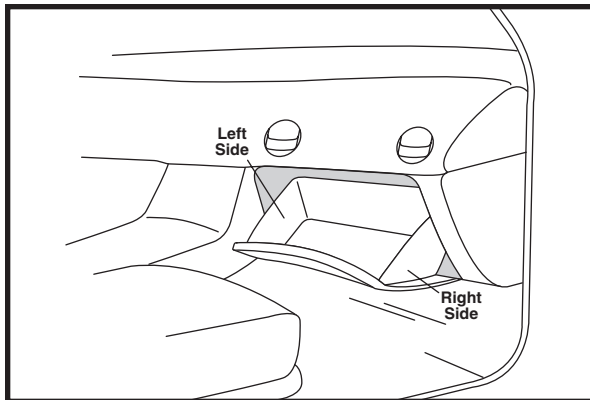
GM

AF1164 / AFC1164

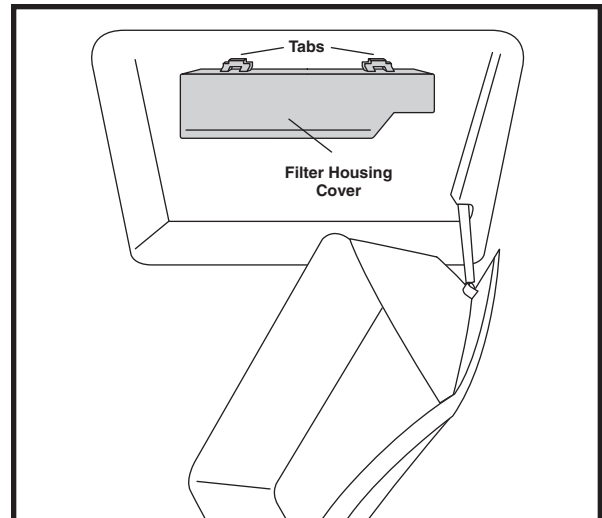
**Pontiac Vibe;
Toyota 4Runner, Tacoma,
Tacoma X-Runner**



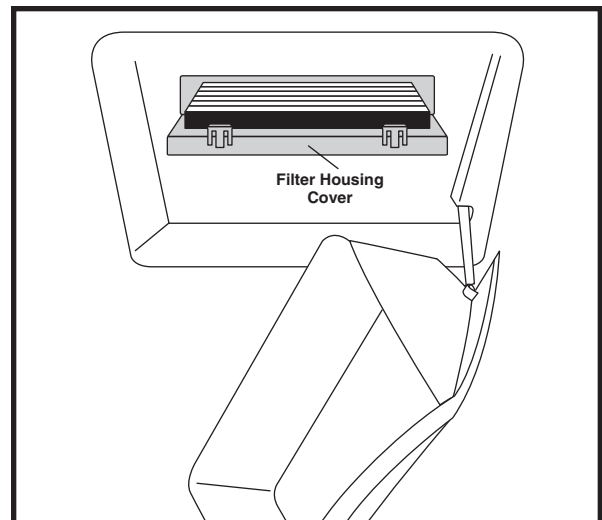
OE: 88970273
Fits: 2003-08 Pontiac Vibe
2010 Toyota 4Runner
2006-on Toyota Tacoma
2006-07 Toyota Tacoma X-Runner
Size: 8 1/16 x 8 1/16 x 25/32
(204.8 x 204.8 x 19.8)



1. Open passenger side door.
2. Open glove compartment.
3. Push in on left and right sides of glove compartment to release glove compartment.



4. Pull out glove compartment. (Right side of glove compartment remains attached.)
5. Unfasten tabs on top of filter housing cover and flip down. (Filter housing cover remains attached.)



6. Replace filter and reassemble.

Notice: The information provided is based on the latest authoritative information available at press time. However, due to manufacturers' changes, and year and model variations, Hastings Premium Filters cannot be responsible for misapplications and instruction errors.

 **HASTINGS**
PREMIUM FILTERS®
a CLARCOR company

4400 East Highway 30 ■ P.O. Box 6006
Kearney, NE 68848-6006
PH: 800-887-8836 ■ FAX: 800-210-6906
Internet: www.hastingsfilter.com