

CABIN AIR FILTER

IDENTIFICATION / INSTALLATION

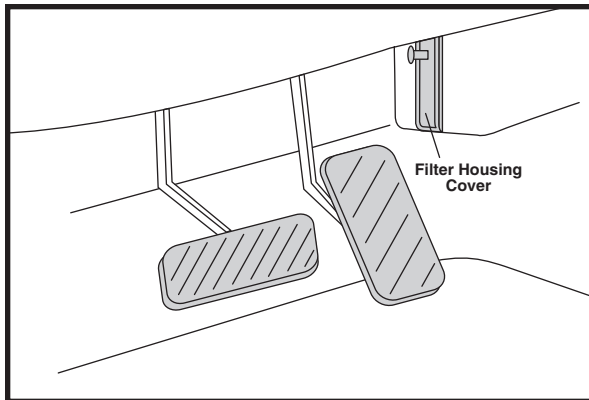
IMPORTS

AF1218 / AFC1218

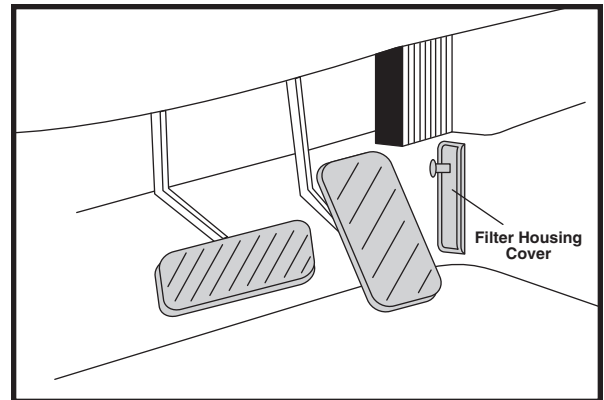
Lexus GS300, GS400



OE: 87139-30010
Fits: 1998-2000 Lexus GS300, GS400
Size: 9 3/8 x 8 1/2 x 3/4
(238.1 x 215.9 x 19.1)
A.Gskt.: [2] Attached



1. Open driver side door.
2. Pull down carpet on right side of accelerator pedal to expose filter housing cover.
3. Remove filter housing cover by squeezing tab at top and pulling up and out.



4. Replace filter and reassemble.

Notice: The information provided is based on the latest authoritative information available at press time. However, due to manufacturers' changes, and year and model variations, Hastings Premium Filters cannot be responsible for misapplications and instruction errors.



4400 East Highway 30 ■ P.O. Box 6006
Kearney, NE 68848-6006
PH: 800-887-8836 ■ FAX: 800-210-6906
Internet: www.hastingsfilter.com