

CABIN AIR FILTER

IDENTIFICATION / INSTALLATION

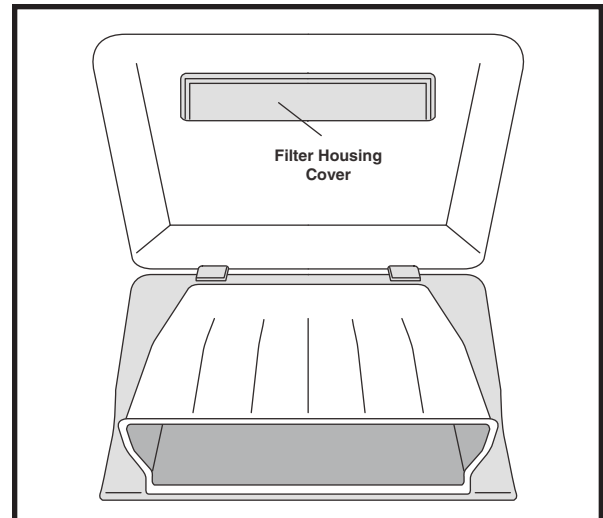
IMPORTS

AF1223 / AFC1223

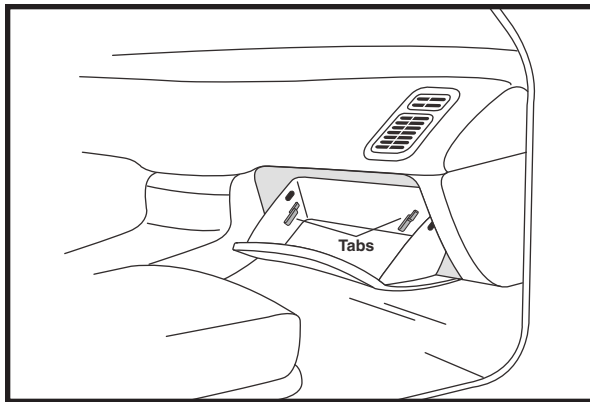
Hyundai Sonata, XG300, XG350;
Kia Magentis



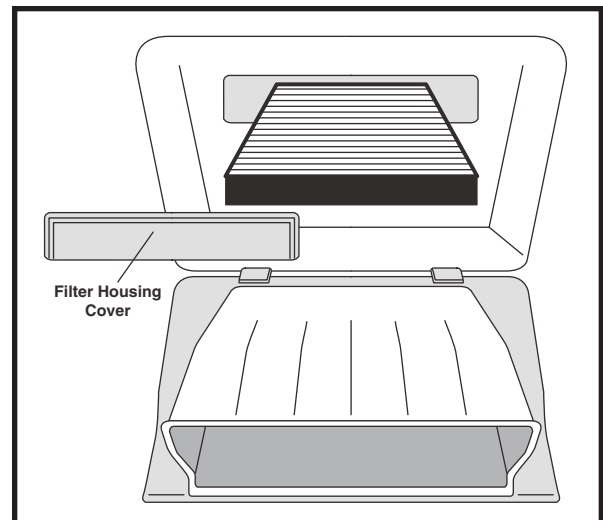
- OE:** 9761938000, 97619-38100
Fits: 1999-2003 Hyundai Sonata
2001 Hyundai XG300
2002-03 Hyundai XG350
2006 Kia Magentis
Size: 10 11/32 x 7 21/32 x 1 15/32
(262.7 x 194.5 x 37.3)
A. Gskt.: [1] Attached



5. Flip down glove compartment.
6. Remove filter housing cover.



1. Open passenger side door.
2. Open glove compartment.
3. Close glove compartment part way to relieve pressure on tabs.
4. Remove tabs to release glove compartment.



7. Replace filter and reassemble.

Notice: The information provided is based on the latest authoritative information available at press time. However, due to manufacturers' changes, and year and model variations, Hastings Premium Filters cannot be responsible for misapplications and instruction errors.



4400 East Highway 30 ■ P.O. Box 6006
Kearney, NE 68848-6006
PH: 800-887-8836 ■ FAX: 800-210-6906
Internet: www.hastingsfilter.com