

CABIN AIR FILTER

IDENTIFICATION / INSTALLATION

IMPORTS

AFC1224

Volvo S60, S60 R, S60 T5, S80, S80 T6,
V70, V70 T5, XC70, XC90



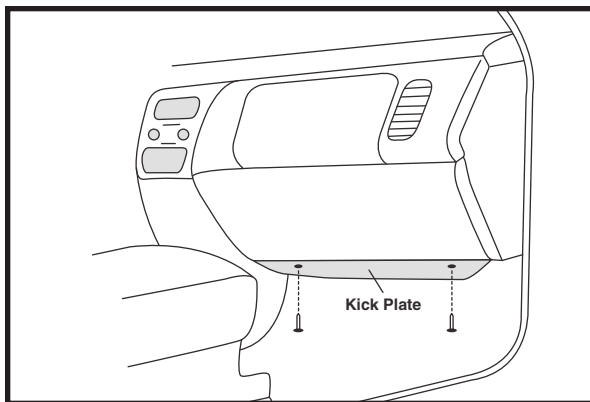
OE: 9171756

Fits: 2001-05, 2008-09 Volvo S60
2003-04 Volvo S60 R
2004, 2007 Volvo S60 T5
2001 Volvo S80, S80 T6
2002-07 Volvo V70
2005 Volvo V70 T5
2010-on Volvo XC70
2004, 2010-on Volvo XC90

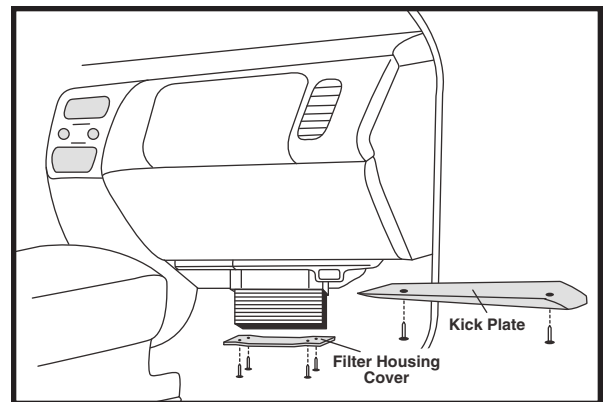
Size: (10 3/8 to 11 1/32) x 9 27/32 x 1 17/32
(263.5 to 280.2) x 250.0 x 38.9

A. Gskt.: [1] Attached

Note: Contains Charcoal Impregnated Media for Odor Control
Related to AFC1145 (Non-Charcoal Version)



1. Open passenger side door.
2. Remove screws on kick plate located under glove compartment.



3. Remove kick plate.
4. Remove screws on filter housing cover.
5. Remove filter housing cover.
6. Replace filter and reassemble.

Notice: The information provided is based on the latest authoritative information available at press time. However, due to manufacturers' changes, and year and model variations, Hastings Premium Filters cannot be responsible for misapplications and instruction errors.



4400 East Highway 30 ■ P.O. Box 6006
Kearney, NE 68848-6006
PH: 800-887-8836 ■ FAX: 800-210-6906
Internet: www.hastingsfilter.com