

CABIN AIR FILTER

IDENTIFICATION / INSTALLATION

IMPORTS

AFC1225

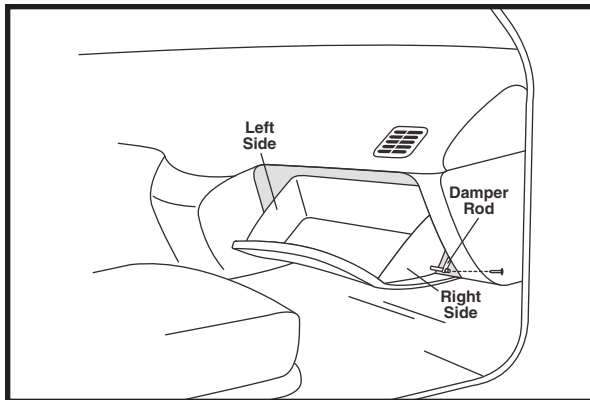
Lexus ES300, ES330, RX350,
RX400h Hybrid;
Toyota Avalon, Camry, Sienna, Solara



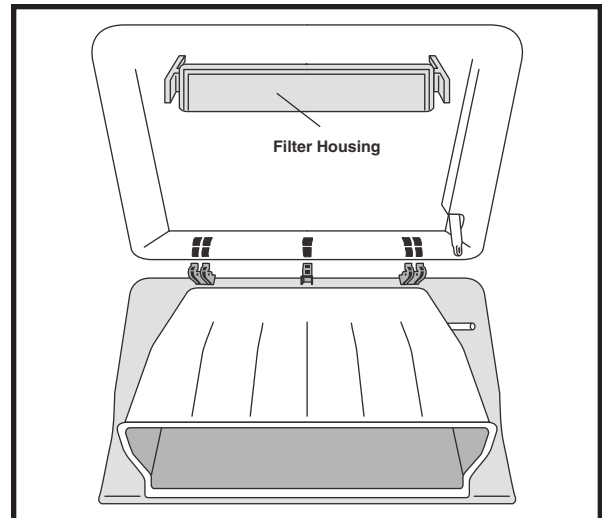
OE: 87139-32010
Fits: 2002-03 Lexus ES300
2004-06 Lexus ES330
2007-09 Lexus RX350
2006-09 Lexus RX400h Hybrid
2000-04 Toyota Avalon
2002-06 Toyota Camry
2004-on Toyota Sienna
2002-09 Toyota Solara

Size: 8 3/8 x 8 5/16 x 21/32
(212.7 x 211.1 x 16.7)

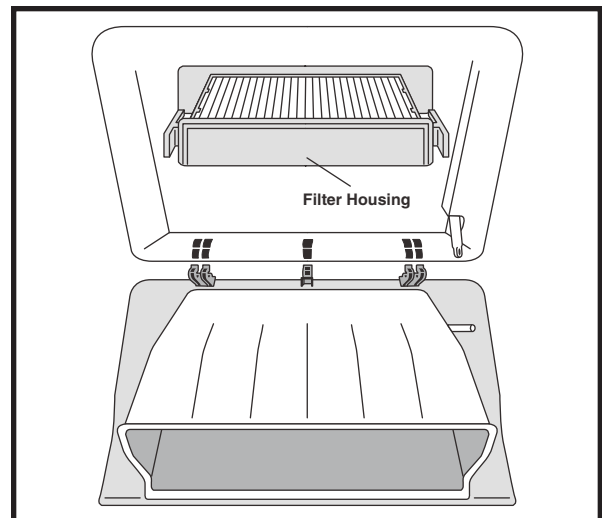
A. Gskt.: [2] Attached



1. Open passenger side door.
2. Open glove compartment.
3. Remove screw holding damper rod in place on right side of glove compartment.
4. Detach damper rod from glove compartment.
5. Push in on left and right sides of glove compartment to release glove compartment.



6. Remove glove compartment
7. Remove filter housing.



8. Remove filter from filter housing.
9. Replace filter and reassemble.

Notice: The information provided is based on the latest authoritative information available at press time. However, due to manufacturers' changes, and year and model variations, Hastings Premium Filters cannot be responsible for misapplications and instruction errors.



4400 East Highway 30 ■ P.O. Box 6006
Kearney, NE 68848-6006
PH: 800-887-8836 ■ FAX: 800-210-6906
Internet: www.hastingsfilter.com