

# CABIN AIR FILTER

## IDENTIFICATION / INSTALLATION

# GM

# AFC1231

**Cadillac Escalade;  
Chevrolet Avalanche, Silverado, Silverado Hybrid, Suburban, Tahoe;  
GMC Sierra Series, Sierra Series Hybrid, Yukon, Yukon Denali, Yukon XL;  
Hummer H2, H2 SUT**

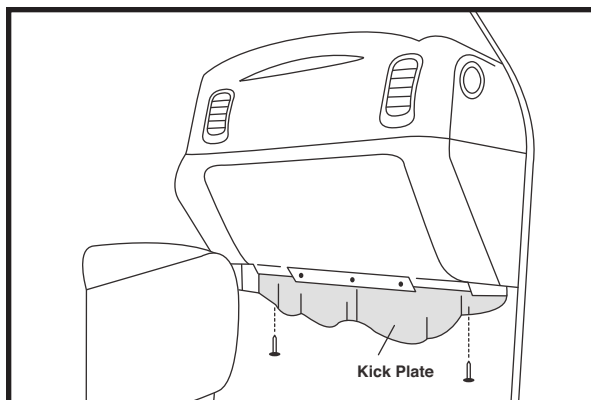


**OE:** 88986533  
**Fits:** 2004 Cadillac Escalade  
2003-04 Chevrolet Avalanche, Suburban  
2003-05 Chevrolet Silverado, GMC Sierra Series,  
Yukon, Yukon Denali, Yukon XL  
2005 Chevrolet Silverado Hybrid,  
GMC Sierra Series Hybrid  
2003 Chevrolet Tahoe  
2003-05, 2008-10 Hummer H2  
2005, 2008-10 Hummer H2 SUT

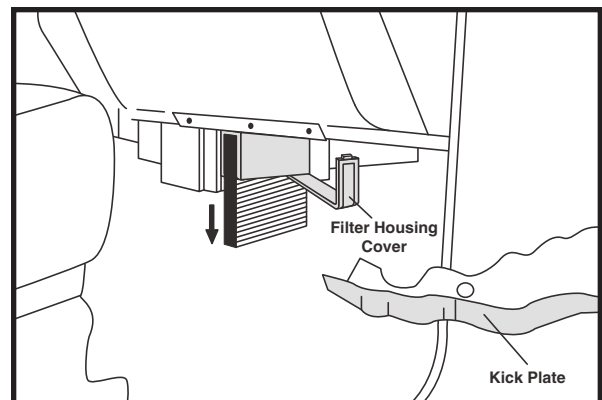
**Size:** 10 5/8 x 9 7/16 x 1  
(269.9 x 239.7 x 25.4)

**A.Gskt.:** [1] Attached

**Note:** Contains Charcoal Impregnated Media for Odor Control



1. Open passenger side door.
2. Remove screws on kick plate located under glove compartment.



3. Remove kick plate.
4. Unclip and swing filter housing cover to right.
5. Remove filter by pulling straight down.
6. Replace filter and reassemble.

**Notice:** The information provided is based on the latest authoritative information available at press time. However, due to manufacturers' changes, and year and model variations, Hastings Premium Filters cannot be responsible for misapplications and instruction errors.



4400 East Highway 30 ■ P.O. Box 6006  
Kearney, NE 68848-6006  
PH: 800-887-8836 ■ FAX: 800-210-6906  
Internet: [www.hastingsfilter.com](http://www.hastingsfilter.com)