

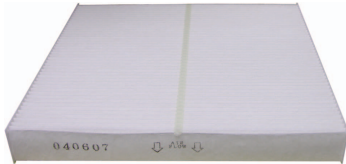
CABIN AIR FILTER

IDENTIFICATION / INSTALLATION

IMPORTS

AFC1244

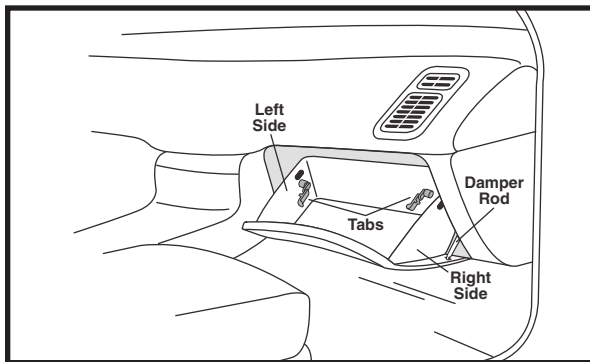
Acura CSX, CSX Type S, MDX, RDX, RL, TL, TL Type S, TSX, ZDX;
Honda Accord, Accord Crosstour, Accord Hybrid, Civic, Civic Hybrid, CR-V, Odyssey, Pilot, Ridgeline



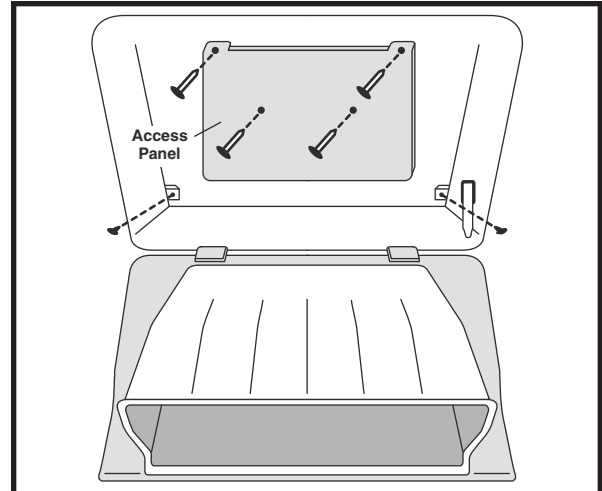
OE: 80292-SEC-A01

Fits: 2007-on Acura CSX, CSX Type S, MDX, RDX, Honda CR-V
2005-on Acura RL, Honda Odyssey
2004-on Acura TL, TSX
2007-08 Acura TL Type S
2010-on Acura ZDX, Honda Accord Crosstour
2003-on Honda Accord
2005-07 Honda Accord Hybrid
2006-on Honda Civic, Civic Hybrid, Ridgeline
2009-on Honda Pilot

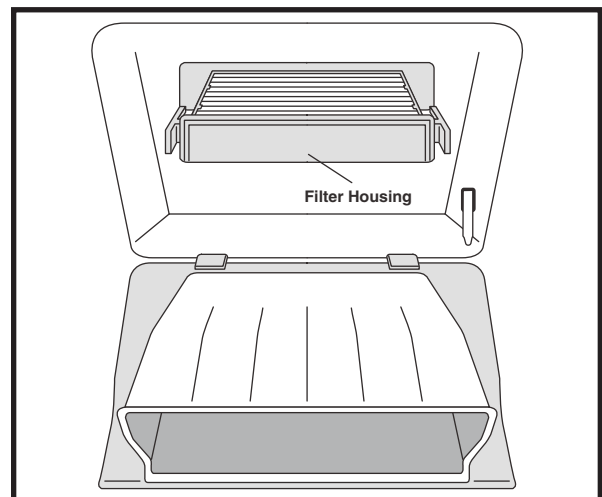
Size: 9 7/32 x 8 21/32 x 1 1/8
(234.2 x 219.9 x 28.6)



1. Open passenger side door.
2. Open glove compartment.
3. Detach damper rod from glove compartment.
4. Push in on left and right sides of glove compartment to release glove compartment.
If equipped with tabs.
 - a. Close glove compartment part way to relieve pressure on tabs.
 - b. Push in tabs on outside of glove compartment to release glove compartment.
 - c. Remove tabs.



5. Remove screws on left and right sides (if equipped) while holding glove compartment.
6. Flip down glove compartment.
If vehicle has an access panel:
 - a. Remove clips at top of access panel.
 - b. Remove screws in middle of access panel (if equipped).
 - c. Remove access panel.



7. Remove filter housing.
8. Remove filter from filter housing.
9. Replace filter and reassemble.

Notice: The information provided is based on the latest authoritative information available at press time. However, due to manufacturers' changes, and year and model variations, Hastings Premium Filters cannot be responsible for misapplications and instruction errors.



4400 East Highway 30 ■ P.O. Box 6006
Kearney, NE 68848-6006
PH: 800-887-8836 ■ FAX: 800-210-6906
Internet: www.hastingsfilter.com