

CABIN AIR FILTER

IDENTIFICATION / INSTALLATION

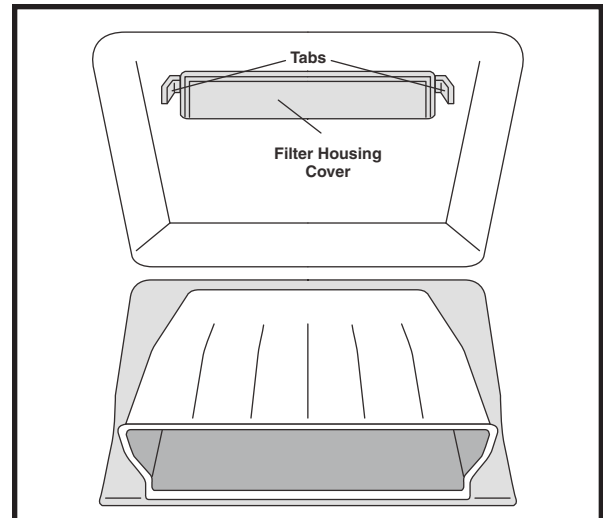
CHRYSLER

AFC1328

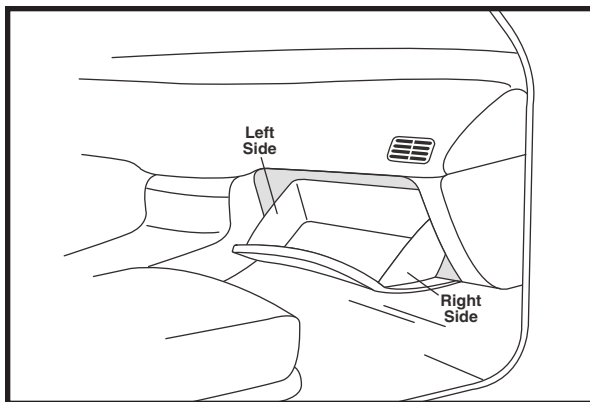
**Chrysler 200, Cirrus, Sebring;
Dodge Avenger, Caliber, Journey;
Jeep Compass, Patriot**



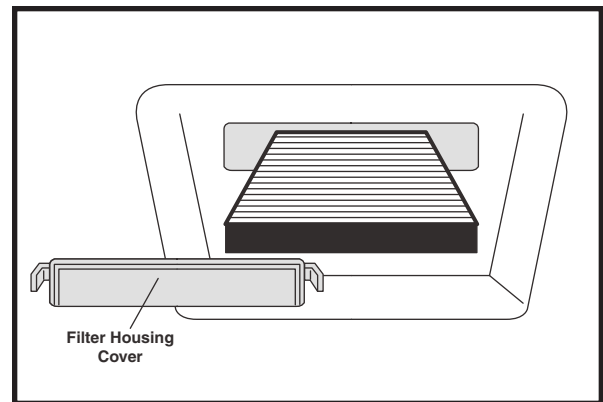
- OE:** 5058381AA, 5058693AA
Fits: 2011 Chrysler 200
2007-10 Chrysler Cirrus, Sebring
2008-on Dodge Avenger
2007-on Dodge Caliber, Jeep Compass, Patriot
2009-on Dodge Journey
Size: 8 1/2 x 7 21/32 x 31/32
(215.9 x 194.5 x 24.6)
Note: Contains Charcoal Impregnated Media for Odor Control



4. Remove glove compartment.
5. Squeeze tabs on filter housing cover and remove.



1. Open passenger side door.
2. Open glove compartment.
3. Push in on left and right sides of glove compartment to release glove compartment.



6. Replace filter and reassemble.

Notice: The information provided is based on the latest authoritative information available at press time. However, due to manufacturers' changes, and year and model variations, Hastings Premium Filters cannot be responsible for misapplications and instruction errors.



4400 East Highway 30 ■ P.O. Box 6006
Kearney, NE 68848-6006
PH: 800-887-8836 ■ FAX: 800-210-6906
Internet: www.hastingsfilter.com