

# CABIN AIR FILTER

## IDENTIFICATION / INSTALLATION

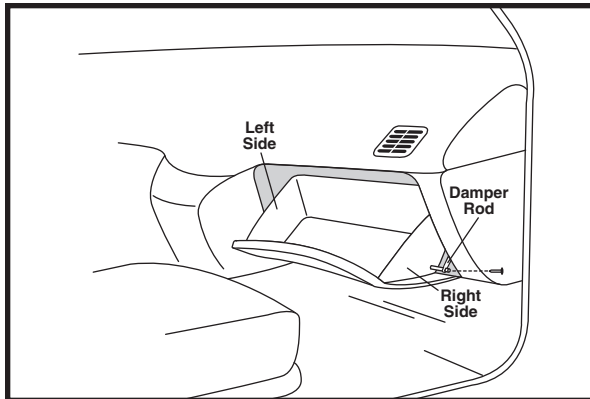
### IMPORTS

### AFC1352 (1 of 2)

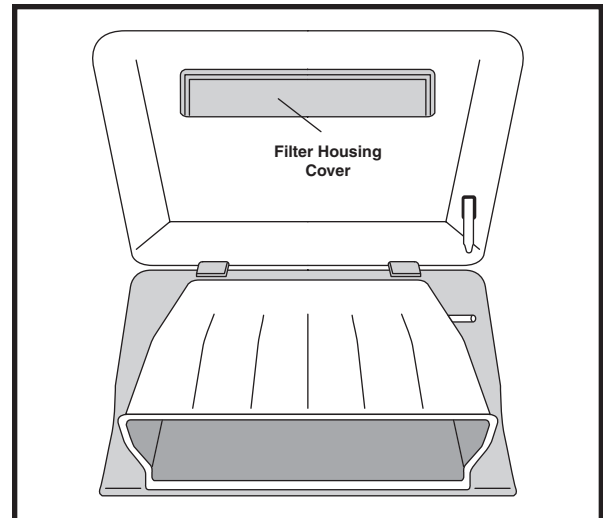
Lexus ES350, GS450h Hybrid, GS460,  
IS250, IS350, LX570, RX350,  
RX450h Hybrid;  
Toyota Camry Hybrid, Land Cruiser,  
Tundra



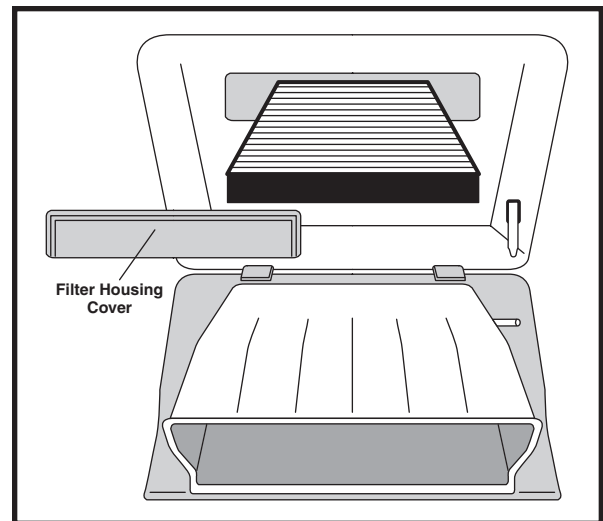
**OE:** 87139-07010  
**Fits:** 2007-on Lexus ES350, GS450h Hybrid, IS250, IS350,  
Toyota Tundra  
2008-on Lexus GS460, LX570, Toyota Land Cruiser  
2010 Lexus RX350, RX450h Hybrid,  
Toyota Camry Hybrid  
**Size:** 8 15/32 x 7 19/32 x 1 1/8  
(215.1 x 192.9 x 28.6)



1. Open passenger side door.
2. Open glove compartment.
3. Remove screw holding damper rod in place on right side of glove compartment.
4. Detach damper rod from glove compartment.
5. Push in on left and right sides of glove compartment to release glove compartment.



6. Flip down glove compartment.
7. Remove filter housing cover.



8. Replace filter and reassemble.

**Notice:** The information provided is based on the latest authoritative information available at press time. However, due to manufacturers' changes, and year and model variations, Hastings Premium Filters cannot be responsible for misapplications and instruction errors.



4400 East Highway 30 ■ P.O. Box 6006  
Kearney, NE 68848-6006  
PH: 800-887-8836 ■ FAX: 800-210-6906  
Internet: [www.hastingsfilter.com](http://www.hastingsfilter.com)