

# CABIN AIR FILTER

## IDENTIFICATION / INSTALLATION

# IMPORTS

# AFC1368

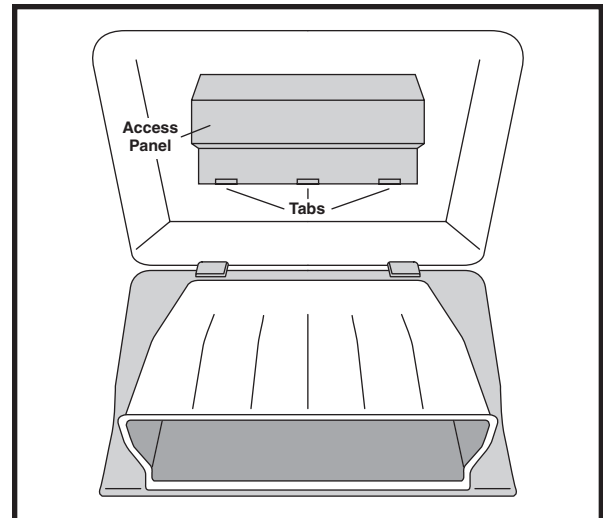
Infiniti EX35, FX35, G37, M35, M45;  
Nissan GT-R



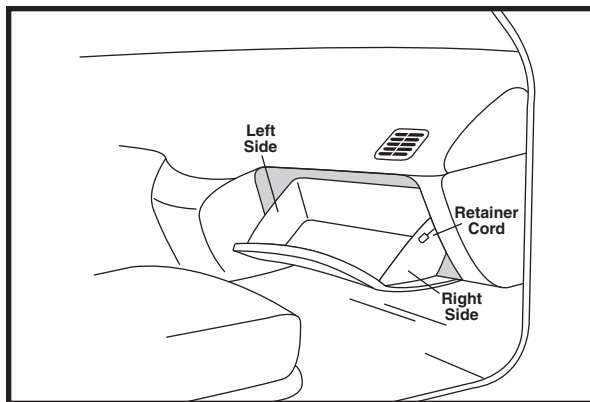
**OE:** 27277-EG025

**Fits:** 2008-on Infiniti EX35, G37  
2010 Infiniti FX35  
2006-on Infiniti M35, M45  
2009-on Nissan GT-R

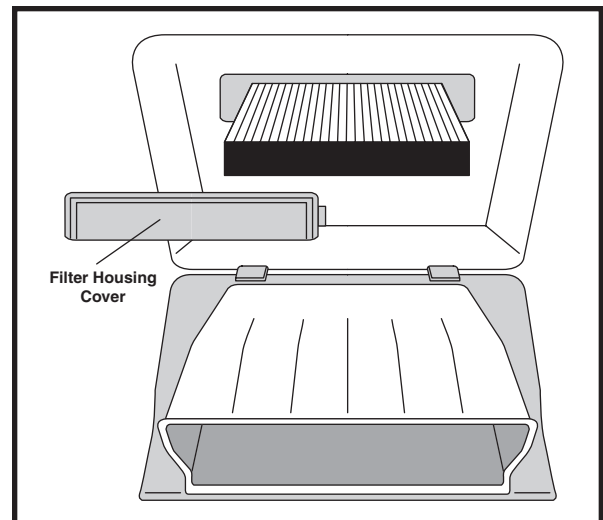
**Size:** 9 x 7 13/16 x 1 1/4  
(228.6 x 198.4 x 31.8)



5. Flip down glove compartment.
6. Pull tabs to flip up access panel.



1. Open passenger side door.
2. Open glove compartment.
3. Push in on left and right sides of glove compartment to release glove compartment.
4. Release retainer cord from glove compartment.



7. Remove filter housing cover.
8. Replace filter and reassemble.

**Notice:** The information provided is based on the latest authoritative information available at press time. However, due to manufacturers' changes, and year and model variations, Hastings Premium Filters cannot be responsible for misapplications and instruction errors.



4400 East Highway 30 ■ P.O. Box 6006  
Kearney, NE 68848-6006  
PH: 800-887-8836 ■ FAX: 800-210-6906  
Internet: [www.hastingsfilter.com](http://www.hastingsfilter.com)