

# CABIN AIR FILTER

## IDENTIFICATION / INSTALLATION

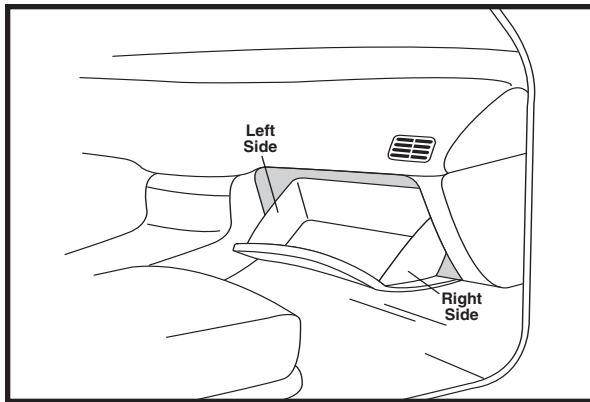
# IMPORTS

# AFC1378

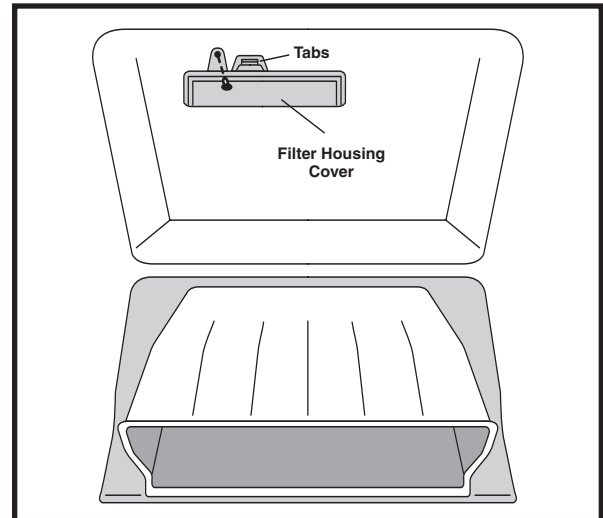
**Nissan Frontier, Pathfinder, Xterra;  
Suzuki Equator**



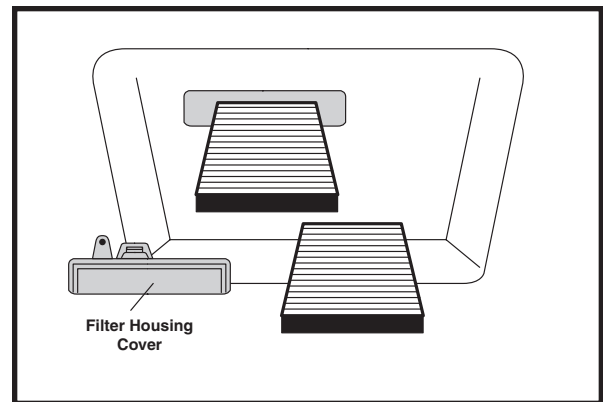
- OE:** 999M1-VR056  
**Fits:** 2005-on Nissan Frontier, Pathfinder, Xterra  
2009-on Suzuki Equator  
**Size:** 10 5/32 x 3 31/32 x 31/32  
(258.0 x 100.8 x 24.6)  
**Note:** 2 Required per Vehicle (Sold as Set of 2)



1. Open passenger side door.
2. Open glove compartment.
3. Push in on left and right sides of glove compartment to release glove compartment.



4. Remove glove compartment.
5. Remove bolt on filter housing cover.
6. Remove filter housing cover by pushing up on tab.



7. Remove first filter.
8. Slide second filter to the left and then out.
9. Replace filters in reverse order and reassemble.

**Notice:** The information provided is based on the latest authoritative information available at press time. However, due to manufacturers' changes, and year and model variations, Hastings Premium Filters cannot be responsible for misapplications and instruction errors.



4400 East Highway 30 ■ P.O. Box 6006  
Kearney, NE 68848-6006  
PH: 800-887-8836 ■ FAX: 800-210-6906  
Internet: [www.hastingsfilter.com](http://www.hastingsfilter.com)