

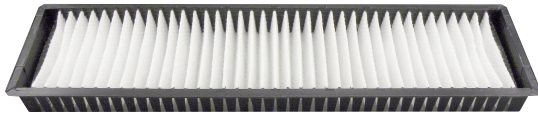
CABIN AIR FILTER

IDENTIFICATION / INSTALLATION

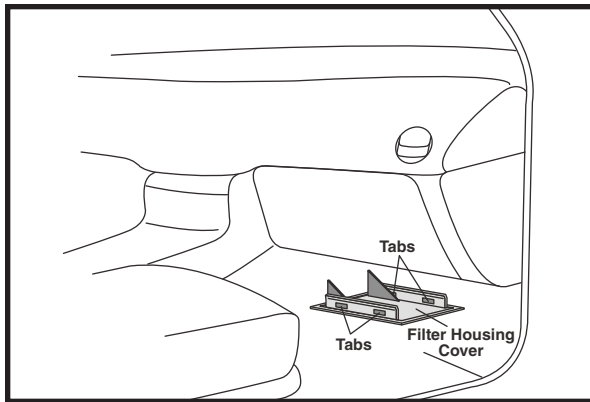
IMPORTS

AFC1399

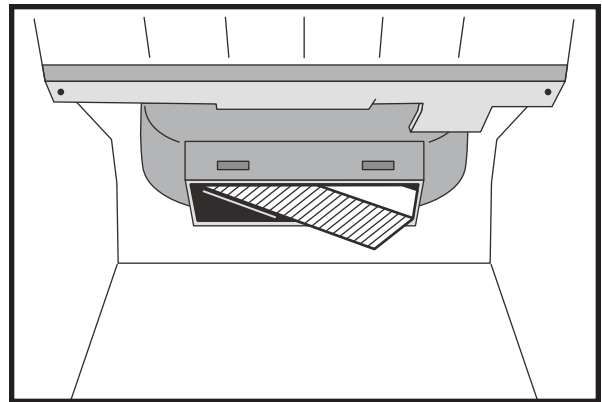
MINI Cooper, Cooper S



OE: 64311496710
Fits: 2002-08 MINI Cooper, Cooper S
Size: 18 9/16 x 4 21/32 x 1 3/8
(471.5 x 118.3 x 34.9)
Note: 2007-08 MINI Cooper, Cooper S with
W108B164 Engine



1. Open passenger side door.
2. Unsnap tabs on back of filter housing cover located under glove compartment.
3. Slide filter housing cover forward to unsnap tabs in front.
4. Remove filter housing cover.



5. Remove filter by sliding out along the rails in the housing.
6. Replace filter and reassemble.

Notice: The information provided is based on the latest authoritative information available at press time. However, due to manufacturers' changes, and year and model variations, Hastings Premium Filters cannot be responsible for misapplications and instruction errors.



4400 East Highway 30 ■ P.O. Box 6006
Kearney, NE 68848-6006
PH: 800-887-8836 ■ FAX: 800-210-6906
Internet: www.hastingsfilter.com