

ENGINEERING BULLETIN

January 6, 2009

HASTINGS FILTERS SENSOR PORT DRAIN PLUGS

Hastings Filters has recently added threaded metal drain plugs to all fuel/water separator filters that have sensor ports and do not have drain only versions. These metal drain plugs will replace the previously used plastic plugs that had to be removed and replaced with either a sensor or a threaded plug prior to use.

The fuel/water separators with sensor ports that have drain only versions available will continue

to be supplied with plastic paint plugs in the sensor port.

PLEASE NOTE: The plastic paint plug must be replaced with either a sensor or a threaded plug prior to use.

Hastings Filters is currently in the process of making the threaded plugs for these filters available to our customers as optional order items.

The following is a list of fuel/water separator filters that will be supplied with threaded drain plugs installed:

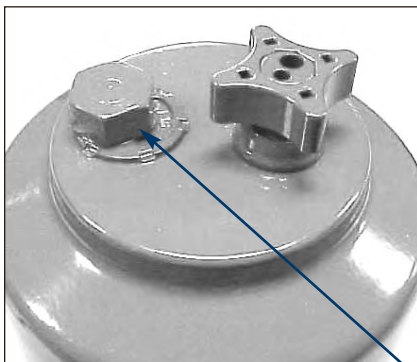
**FF1130-SP
BF1351-SP**

**FF1152-SP
BF1358-SP**

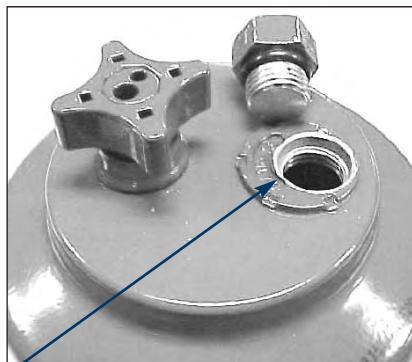
**BF1284-SP
BF7798-SP**

BF1285-SP

BF1350-SP



Sensor Port with Threaded Drain Plug



Sensor Port with Plastic Drain Plug
(Must be replaced prior to service)

**If you have further questions,
please contact our
Service Engineering Team at (800) 887-8836.**